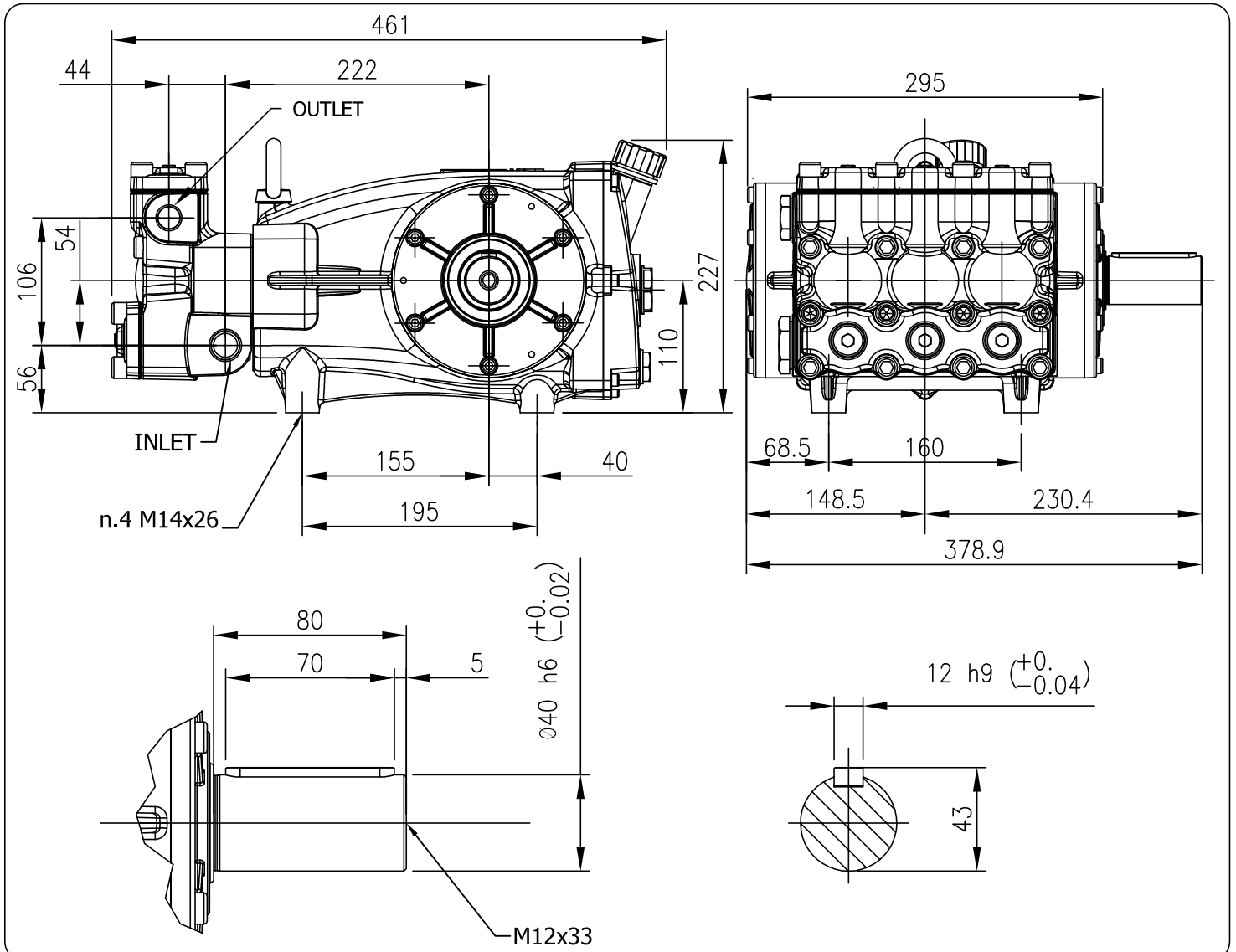


Pump Pompe Pumpen Pompa	Pressure Pression Druck Pressione		Volume Débit Leistung Portata		RPM tours/min u.p.m. giri/min	Required Puissance Leistung Potenza		Inlet port Entrée Eingang Aspirazione	Outlet Sortie Ausgang Mandata	Weight Kg Poids Kg Gewicht Kg Peso Kg
	bar	PSI	l/min	GPM		HP	kW			
HFR40S	280	4100	40	10.6	1000	28.6	21.1	G 1	G 3/4	48
HFR60S	280	4100	60	15.9	1000	43.0	31.6	G 1	G 3/4	48
HFR40F	280	4100	40	10.6	1450	28.7	21.1	G 1	G 3/4	48
HFR60F	280	4100	60	15.9	1450	43.0	31.6	G 1	G 3/4	48
HFR80F	280	4100	80	21.1	1450	57.5	42.1	G 1	G 3/4	48
HFR80S	150	2200	80	21.1	1000	30.5	22.4	G 1 1/4	G 3/4	48
HFR105S	150	2200	105	27.7	1000	40.3	30.0	G 1 1/4	G 3/4	48
HFR120S	150	2200	120	31.7	1000	46.1	33.8	G 1 1/4	G 3/4	48

Dimensioni d'ingombro

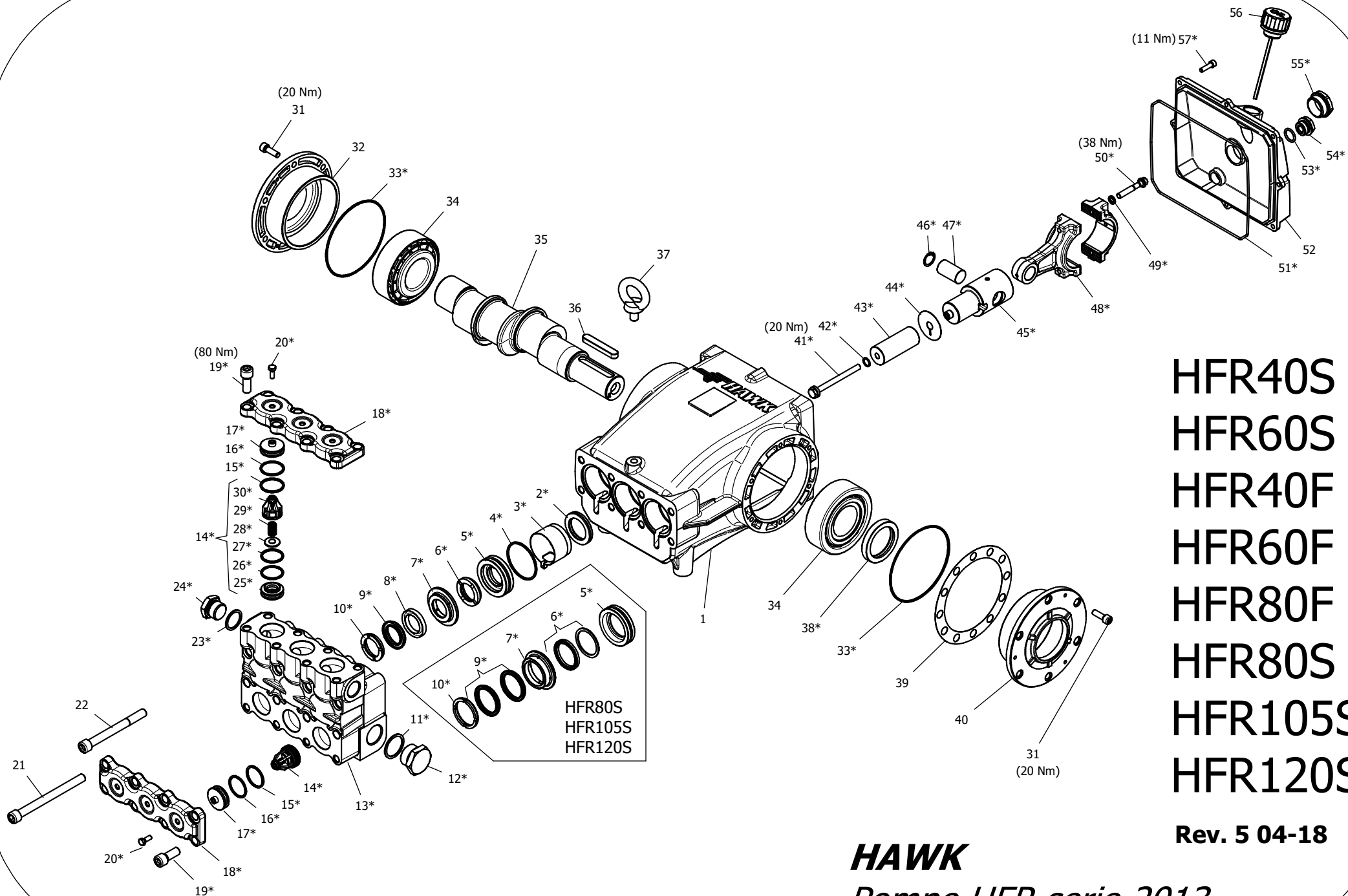
Overall dimensions



Lubrificazione: Olio SAE 10W40
Capacità 3,5 Litri

Rev. 5 04-18

Lubrication: SAE 10W40 Oil
Capacity 3,5 Litres



HFR40S
HFR60S
HFR40F
HFR60F
HFR80F
HFR80S
HFR105S
HFR120S

Rev. 5 04-18

HAWK

Pompe HFR serie 2013

HFR pumps 2013 series

HFR 2013 SERIES

ORDINARY MAINTENANCE KIT / KIT MANUTENZIONE ORDINARIA

KIT	Item Pos.	Part Number Codice	Description	Descrizione	Q.TY by Pump Q.TA per Pompa	HFR40S	HFR60S	HFR40F	HFR60F	HFR80F	HFR80S	HFR105S	HFR120S
A	3x (4- 6- 8- 9 10)	1.099-807.0	PLUNGER SEALS DIA. 30 mm	GUARNIZIONI PISTONE Ø30	1	•	•	•	•	•			
	3x (4- 6- 9- 10)	1.099-809.0	PLUNGER SEALS DIA. 40 mm	GUARNIZIONI PISTONE Ø40								•	•
B	14- 15 (25- 26- 27 28- 29- 30) 16	1.905-704.0	COMPLETE VALVE	VALVOLA COMPLETA	1	•	•	•	•	•			
		1.905-705.0	COMPLETE VALVE	VALVOLA COMPLETA								•	•

EXTRAORDINARY MAINTENANCE KIT / KIT MANUTENZIONE STRAORDINARIA

KIT	Item Pos.	Part Number Codice	Description	Descrizione	Q.TY by Pump Q.TA per Pompa	HFR40S	HFR60S	HFR40F	HFR60F	HFR80F	HFR80S	HFR105S	HFR120S
C	4- 5- 6- 7- 8- 9- 10	1.905-702.0	COMPLETE SEALS PACKING DIA. 30 mm	PACCO COMPLETO GUARNIZIONI PISTONE Ø30	1	•	•	•	•	•			
	4- 5- 6- 7- 9- 10	1.905-703.0	COMPLETE SEALS PACKING DIA. 40 mm	PACCO COMPLETO GUARNIZIONI PISTONE Ø40								•	•
D	41- 42- 43- 44	1.099-813.0	PLUNGER DIA. 30 mm	PISTONE Ø30	3	•	•	•	•	•			
		1.099-814.0	PLUNGER DIA. 40 mm	PISTONE Ø40								•	•
E	3x (2- 3)	1.099-817.0	PLUNGER OIL SEALS	ANELLI TENUTA OLIO ASTA	1	•	•	•	•	•	•	•	•
F	33- 38- 53- 54- 55- 56	1.905-706.0	KIT CRANKCASE SEALS	KIT TENUTE CARTER	1	•	•	•	•	•	•	•	•
G	4- 5- 6- 7- 8- 9- 10 11- 12- 13- 14 (25 26- 27- 28- 29- 30) 15- 16- 17- 18- 19- 20- 21- 20- 23- 24	1.099-818.0	COMPLETE MANIFOLD 30	TESTATA COMPLETA Ø30	1	•	•	•	•	•			
		1.099-819.0	COMPLETE MANIFOLD 40	TESTATA COMPLETA Ø40								•	•
H	41- 42- 44- 45- 46- 47 48- 49- 50	1.905-707.0	CONNECTING ROD PLUNGER ROD ASSY	PREMONTATO ASTA-BIELLA PISTONE	3	•	•	•	•	•	•	•	•

“Q.TY by Pump” => Necessary quantity to repair one pump
 “Q.TA’ per Pompa” => Quantità necessaria per riparare una pompa

TOOL KIT

<i>Part Number Codice</i>	<i>Description</i>	<i>Descrizione</i>	<i>Q.TY by Pump Q.TA per Pompa</i>	<i>HFR40S</i>	<i>HFR60S</i>	<i>HFR40F</i>	<i>HFR60F</i>	<i>HFR80F</i>	<i>HFR80S</i>	<i>HFR105S</i>	<i>HFR120S</i>
1.904-204.0	TOOL-KIT	TOOL-KIT	1	•	•	•	•	•	•	•	•

IMPORTANT

IMPORTANTE

* *Part available ONLY in kit*
Disponibile SOLO in kit

(...) **Parts pre-assembled**
Parti pre-assemblate

PARTS LIST LISTA PARTI

Item Pos	Part Number Codice	Description	Descrizione	KIT	Q.TY Q.TÀ	HFR40S	HFR60S	HFR40F	HFR60F	HFR80F	HFR80S	HFR105S	HFR120S
1	9.851-902.0	CRANKCASE	CARTER		1								
2*		PLUNGER OIL SEAL	ANELLO RADIALE	E	3	•	•	•	•	•	•	•	•
3*		PLASTIC BUSHING	BOCCOLA CORTECO ASTE	E	3								
4*		"O" RING Ø2.62X56,82	"O" RING Ø2.62X56,82	A-C-G	3								
5*		PRESSURE RING 30MM	PRESSORE "U" Ø30	C-G	3	•	•	•	•	•			
		PRESSURE RING 40MM	PRESSORE "U" Ø40									•	•
6*		"VB" SEAL, Ø30x45	ANELLO TENUTA VB Ø30x45	A-C-G	3	•	•	•	•	•			
		"VB" SEAL, Ø40 LP	ANELLO TENUTA VB Ø40 LP									•	•
7*		INTERMED. RING 30MM	DIFFUSORE INTER. Ø30	C-G	3	•	•	•	•	•			
		INTERMED. RING 40MM	DIFFUSORE INTER. Ø40									•	•
8*		BACK RING Ø30	ANELLO ANTIESTRUSIONE Ø30	A-C-G	3	•	•	•	•	•			
9*		"V" SEAL, Ø30X45	ANELLO TENUTA "V" Ø30X45	A-C-G	3	•	•	•	•	•			
		"V" SEAL, Ø40X50X5,5	ANELLO TENUTA "V" Ø40X50X5,5	A-C-G	6	•	•	•	•	•		•	•
10*		SUPPORT RING Ø30	DIFFUSORE "V" Ø30	C-G	3	•	•	•	•	•			
		SUPPORT RING Ø40	DIFFUSORE "V" Ø40	C-G								•	•
11*		COPPER WASHER	GUARNIZIONE RAME G1	G	1								
		BONDED SEAL 1" ¼ NBR	BONDED SEAL 1" ¼ NBR	G		•	•	•	•	•	•	•	•
12*		BRASS PLUG G1"	TAPPO G1" OTTONE	G	1								
		BRASS PLUG G1" 1/4	TAPPO G1" ¼ OTTONE	G									
13*		MANIFOLD HOUSING Ø30	TESTATA Ø30	G	1	•	•	•	•	•			
		MANIFOLD HOUSING Ø40	TESTATA Ø40										•
14*		VALVE ASSEMBLY	VALVOLA PREMONTATA	B-G	6	•	•	•	•	•			
		VALVE ASSEMBLY	VALVOLA PREMONTATA										•
15*		"O" RING Ø2.62X31,42	"O" RING Ø2.62X31,42	B-G	6								
16*		BACK RING	ANELLO ANTIESTRUSIONE	B-G	6								
17*		VALVE PLUG	TAPPO VALVOLA	G	6								
18*		VALVES COVER	COPERCHIO VAM	G	2								
19*		VALVE COVER SCREW	VITE TCEI M12X30 UNI 5931	G	12	•	•	•	•	•	•	•	•
20*		VALVE PLUG SCREW	VITE TE M6X16 UNI 5739	G	6								
21	9.851-471.0	MANIFOLD STUD BOLT	VITE TCEI M12X140 UNI 5931		4								
22	9.851-472.0	MANIFOLD STUD BOLT	VITE TCEI M12X120 UNI 5931		4								
23*		COPPER WASHER	GUARNIZIONE RAME G 3/4	G	1								
24*		INOX PLUG G3/4	TAPPO G3/4 INOX	G	1								
25*		VALVE SEAT	SEDE VALVOLA	B-G	6	•	•	•	•	•			
		VALVE SEAT	SEDE VALVOLA	B-G	6						•	•	•
26*		BACK RING	ANELLO ANTIESTRUSORE	B-G	6								
27*		"O" RING Ø2.62X28.25	"O" RING Ø2.62X28.25	B-G	6								
28*		VALVE PLATE	PIATTELLO VALVOLA	B-G	6	•	•	•	•	•	•	•	•
29*		VALVE SPRING	MOLLA VALVOLA	B-G	6								

Item Pos	Part Number Codice	Description	Descrizione	KIT	Q.TY Q.TÀ	HFR40S	HFR60S	HFR40F	HFR60F	HFR80F	HFR80S	HFR105S	HFR120S
30*		VALVE CAGE	GABBIA VALVOLA	B-G	6								
31	9.851-468.0	BEARING HOUSING SCREW	VITE TCEI M8X25 UNI 5931		12								
32	9.850-646.0	CLOSED BEARING SCREW	FLANGIA CHIUSA		1	•	•	•	•	•	•	•	•
33*		"O" RING Ø2.62X120.32	"O" RING Ø2.62X120.32	F	2								
34	9.850-353.0	ROLLER BEARING	CUSCINETTO 32310 RULLI CONICI		2								
35	9.850-181.0	SINGLE-ENDED CRANCKSHAFT	ALBERO SINGOLA P.D.F		1	•							
	9.850-182.0	" " " "	" " " "		1		•						
	9.850-183.0	" " " "	" " " "		1			•					
	9.850-184.0	" " " "	" " " "		1				•		•		
	9.850-185.0	" " " "	" " " "		1					•		•	
	9.850-186.0	" " " "	" " " "		1								•
36	9.850-449.0	CRANKSHAFT KET	CHIAVETTA		1								
37	9.851-454.0	EYEBOLT	GOLFARE M12		1								
38*		CRANKSHAFT SEAL	ANELLO RADIALE	F	1								
39	9.850-549.0	SHIM	DISTANZIALE		1	•	•	•	•	•	•	•	•
40	9.850-645.0	BEARING HOUSING	FLANGIA APERTA		1								
41*		PLUNGER BOLT	VITE PISTONE	D-H	3								
42*		"O" RING Ø1.78X11.11	"O" RING Ø1.78X11.11	D-H	3								
43*		PLUNGER DIA. 30	PISTONE Ø30	D	3	•	•	•	•	•			
		PLUNGER DIA. 40	PISTONE Ø40	D							•	•	•
44*		COPPER SPACER	ROSETTA RAME PISTONE	D	3								
45*		PLUNGER ROD	ASTA PISTONE	H	3								
46*		SNAP RING	ANELLO Ø22	H	6								
47*		CONNECTING ROD PIN	SPINOTTO	H	3								
48*		CONNECTING ROD	BIELLA	H	3								
49*		SPRING WASHER	ROSETTA ELASTICA Ø8	H	6								
50*		CONNECTING ROD SCREW	VITE BIELLA	H	6	•	•	•	•	•	•	•	•
51*		"O" RING Ø2.62X209.23	"O" RING Ø2.62X209.23	F	1								
52	9.850-386.0	CRANKCASE COVER	COPERCHIO CARTER		1								
53*		"O" RING Ø2.62X17.13	"O" RING Ø2.62X17.13	F	1								
54*		BRASS PLUG G 1/2	TAPPO OTTONE G 1/2	F	1								
55*		SIGHT GLASS, G 1"	SPIA LIVELLO OLIO G1"	F	1								
56*		OIL DIP STICK G ¾	TAPPO SFIATO OLIO G 3/4	F	1								
57	9.851-480.0	COVER SCREW	VITE COPERCHIO		5								