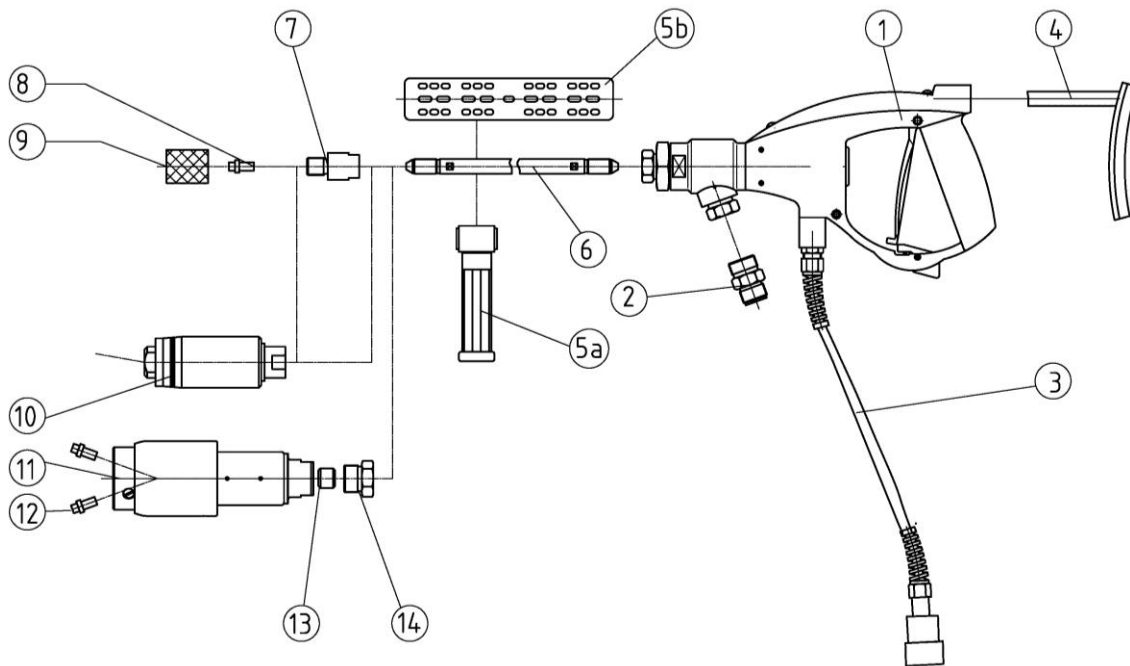


# Accessories and Spares

KSP 1200

Z 3-2 e

01.01.2018



Item	Description	Part no.
1	Gun handle with valve and hose connection pressure ring M 14x1.5 LH and pressure screw M 26x1.5	7009460
2	Hose connection adapter	
a.	M 22x1.5 DKL	7009212
b.	M 22x1.5 DKO	7013332
c.	M 24x1.5 DKO	7009213
d.	G ½" DKR	7012416
3	Initiator with 2m cable for remote control	7017928
4	Shoulder support	7009215
5a	Additional handle	7001071
5b	Half shell handle	7009921
6	Gun tube M 14x1.5 LH	
	250 mm	7010480
	500 mm	7006964
	750 mm	7006963
	1000 mm	7006382
	1500 mm	7016913
	2000 mm	7006996
	2500 mm	7014917
	3000 mm	7014918
	4000 mm	7014919

Item	Description	Part no.
7	Adapter for insert nozzle	7009549
8	Insert nozzle	see page Z41-1 + Z41-2
9	Cap nut for insert nozzle	1051600
10	Orbital nozzle KOD	see page Z40-1/2/3/4
11	Rotating nozzle PRD 3500 Nozzle heads DK1 – DK4	see page Z20-1e see page Z20-2e
12	Straight jet threaded nozzle Form 0964	see page Z55-1
13	Pressure ring M 14x1.5 LH	7006365
14	Pressure screw M 26x1.5	7006364
	Cartridge repair kit	7012314